



# Solar Solve Marine

## Installation Instructions

for

### CASSETTE and NON-CASSETTE ELECTRIC SCREENS and BLINDS

**SOLASAFE<sup>®</sup>**

**CASSLITE<sup>®</sup>**

**SOLAROLA<sup>®</sup>**

**DIMMLITE<sup>®</sup>**

ONLY A FULLY QUALIFIED ELECTRICIAN SHOULD INSTALL MOTORISED  
SCREENS / BLINDS FOR HEALTH & SAFETY REASONS AND TO  
MAINTAIN A FULLY VALID WARRANTY

#### Care and Maintenance

Under normal circumstances dusting with a **NON-ABRASIVE** dry duster is all that is required. Finger prints, grease and most stubborn marks on film, blackout, lycerscreen and fibreglass fabrics can be carefully removed with white spirit and a soft cloth, followed by a further wiping over with a soft non-abrasive cloth dipped in clean soapy water. If any type of film or fabric becomes very dirty it can be carefully wiped over with a soft non-abrasive cloth and clean water with a little soap or detergent. This will do no harm as long as the film / fabric is allowed to dry completely before being rolled up. Excess water should be removed as it will leave a water mark when dry.

We reserve the right to make any modifications necessary to ensure products comply with customer requirements.  
**The drawings in these documents are for illustrative purposes and NOT TO SCALE.**

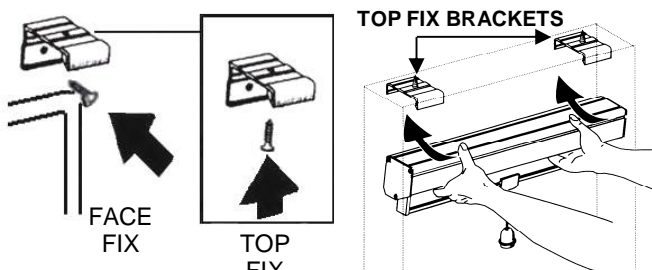
PLEASE NOTE:  
IF WINDOWS ARE SLOPING IT  
WILL BE NECESSARY TO USE THE  
CABLE SUPPORT SYSTEM

IMPORTANT NOTE FOR INSTALLER:  
PLEASE LEAVE THIS INSTRUCTION  
SHEET WITH THE ROLLER SCREEN /  
BLIND FOR CUSTOMERS REFERENCE

## FITTING INSTRUCTIONS FOR INSTALLING ELECTRICALLY OPERATED **CASSETTE** MOUNTED BLINDS AND SCREENS

**For 220 - 240 Volt 50/ 60Hz  
80 Watt Mains Motors and  
24 Volt Low Voltage Motors**

### CASSETTE INSTALLATION



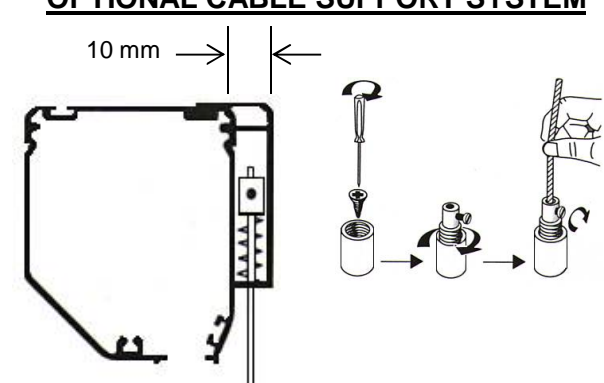
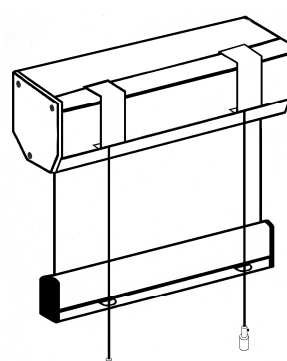
ALTERNATIVE METHODS FOR UNI-FIX BRACKET INSTALLATION

Decide **EXACTLY** where the screen / blind is to be fitted, ensuring that:-

- The screen / blind will not interfere with the window stays or any other obstructions, when operated.
- The screen is absolutely level.

### OPTIONAL CABLE SUPPORT SYSTEM

10 mm → ←

**COMPLETED CABLE SYSTEM AS SEEN FROM BEHIND SCREEN**

## FITTING INSTRUCTIONS FOR INSTALLING ELECTRICALLY OPERATED **NON - CASSETTE** MOUNTED BLINDS AND SCREENS

FACE FIX MOTOR BRACKET



FACE FIX PIN END BRACKET



TOP FIX MOTOR BRACKET



TOP FIX PIN END BRACKET



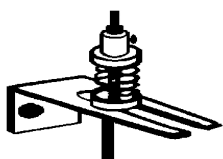
1) The brackets supplied are UNI-FIX and are suited to all methods of fitting including TOP fix, FACE fix and SIDE FIX.

2) Decide **EXACTLY** where the screen / blind is to be fitted. Ensure that:-

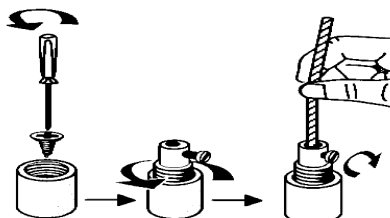
- a) The screen / blind will not interfere with the window stays or any other obstructions, when operated.
- b) The screen is absolutely level.

3) Mark off the screw holes and fit the brackets using the self tap screws provided.

4) Complete the installation by wiring up to the switch and then the power supply by referring to the wiring diagram.



**NON-CASSETTE CABLE SUPPORT SYSTEM**

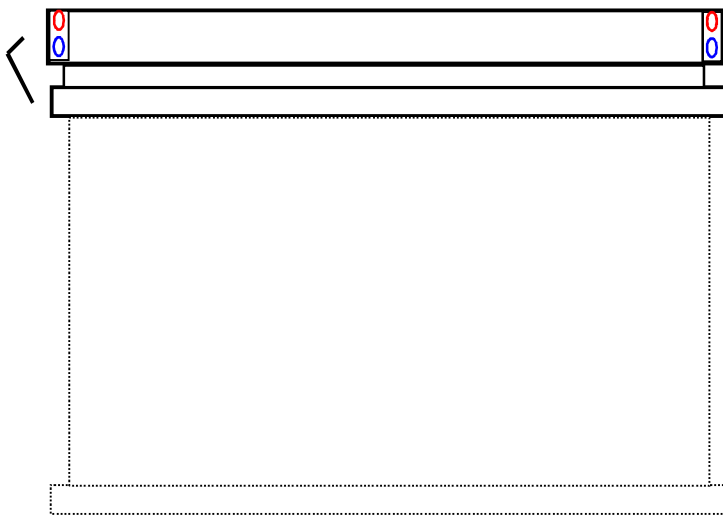
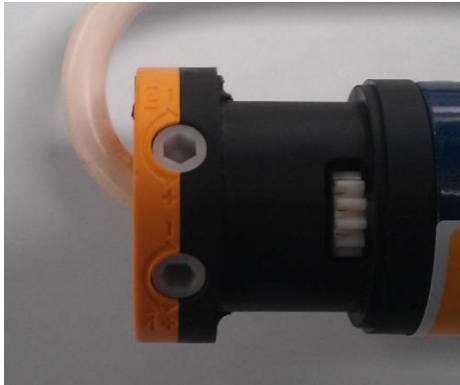


## MOTOR STOP ADJUSTMENT INSTRUCTIONS

**PLEASE NOTE THAT THE DROP HAS ALREADY BEEN PRE-SET TO THE REQUIRED DIMENSION.**  
**THESE INSTRUCTIONS ARE TO MAKE ADJUSTMENTS ONLY.**

### **220 - 240 Volt 50/ 60Hz 80 Watt**

Insert the hex-key supplied, into the relevant hex socket. Turn the key in the direction of the + to increase the rotation of the roll tube or in the direction of - to reduce the number of times the roll tube rotates.

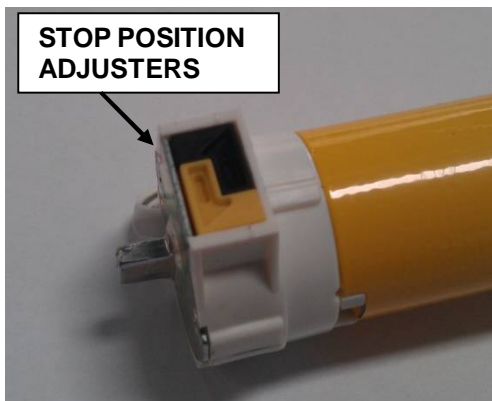


**'STOP' POSITION AT TOP**

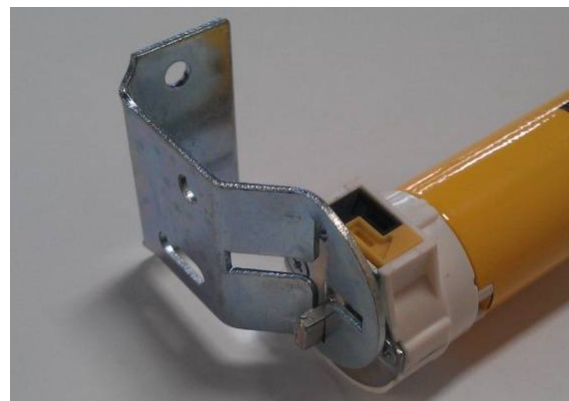
ADJUST THE 'STOP' POSITIONS USING THE SUPPLIED HEX-KEY. IF THE MOTOR IS FITTED TO THE R/H SIDE THE SAME ADJUSTERS SET THE SAME 'STOP' POSITIONS

**'STOP' POSITION AT BOTTOM**

### **Low Voltage - 24 Volt DC Motors**



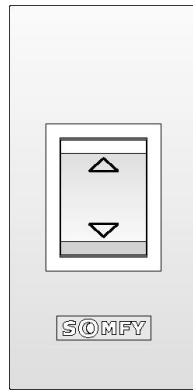
THE STOP POSITION ADJUSTERS HAVE ARROW SHAPES TO SHOW THE DIRECTION THEY CONTROL



MOTOR IS SHOWN IN POSITION USING A FACE FIX MOTOR BRACKET WHICH CAN ALSO BE USED FOR TOP FIXING

## ELECTRIC SCREEN SWITCHES

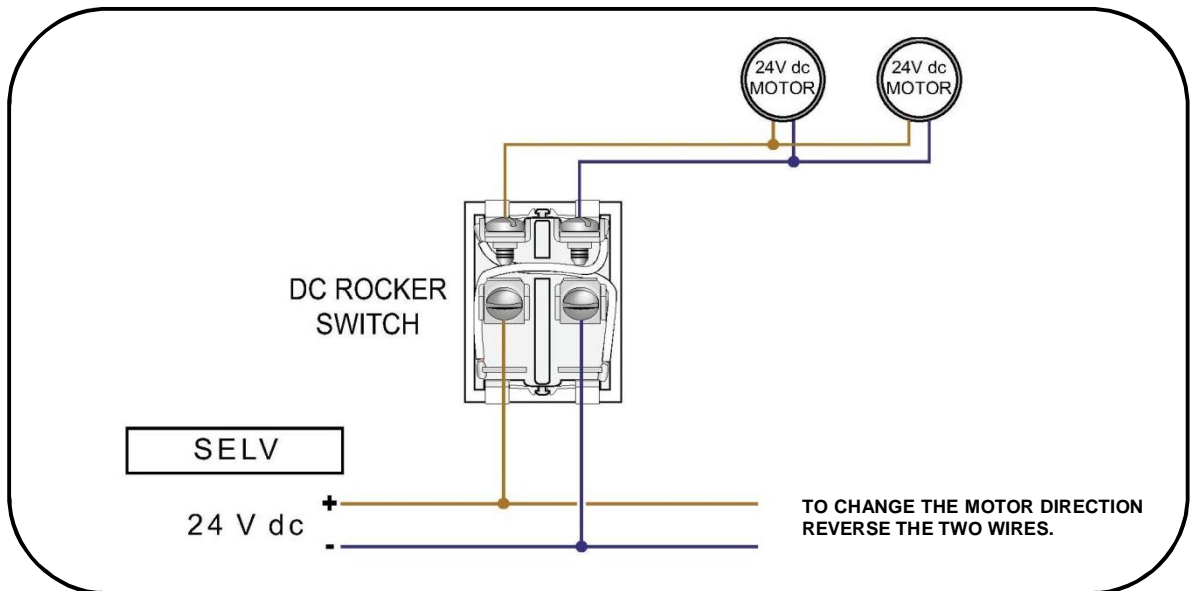
**Basic Low Voltage DC  
3 Position Rocker Switch.**  
Other switches can be used depending on individual requirements which include group and remote control.



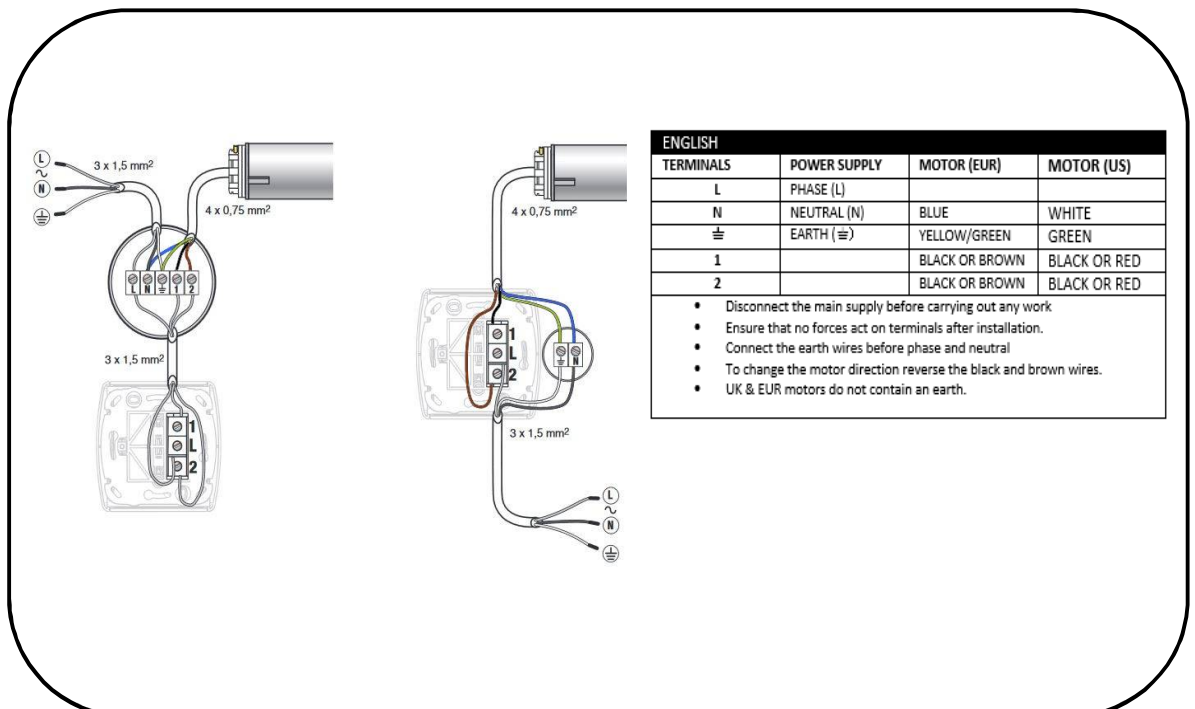
**Basic Mains Voltage AC  
3 Position Hard Wired  
Switch.** Other switches can be used depending on individual requirements which include group and remote control.

## INDIVIDUAL CONTROL

**DC 3 Position  
Rocker Switch  
Connections**



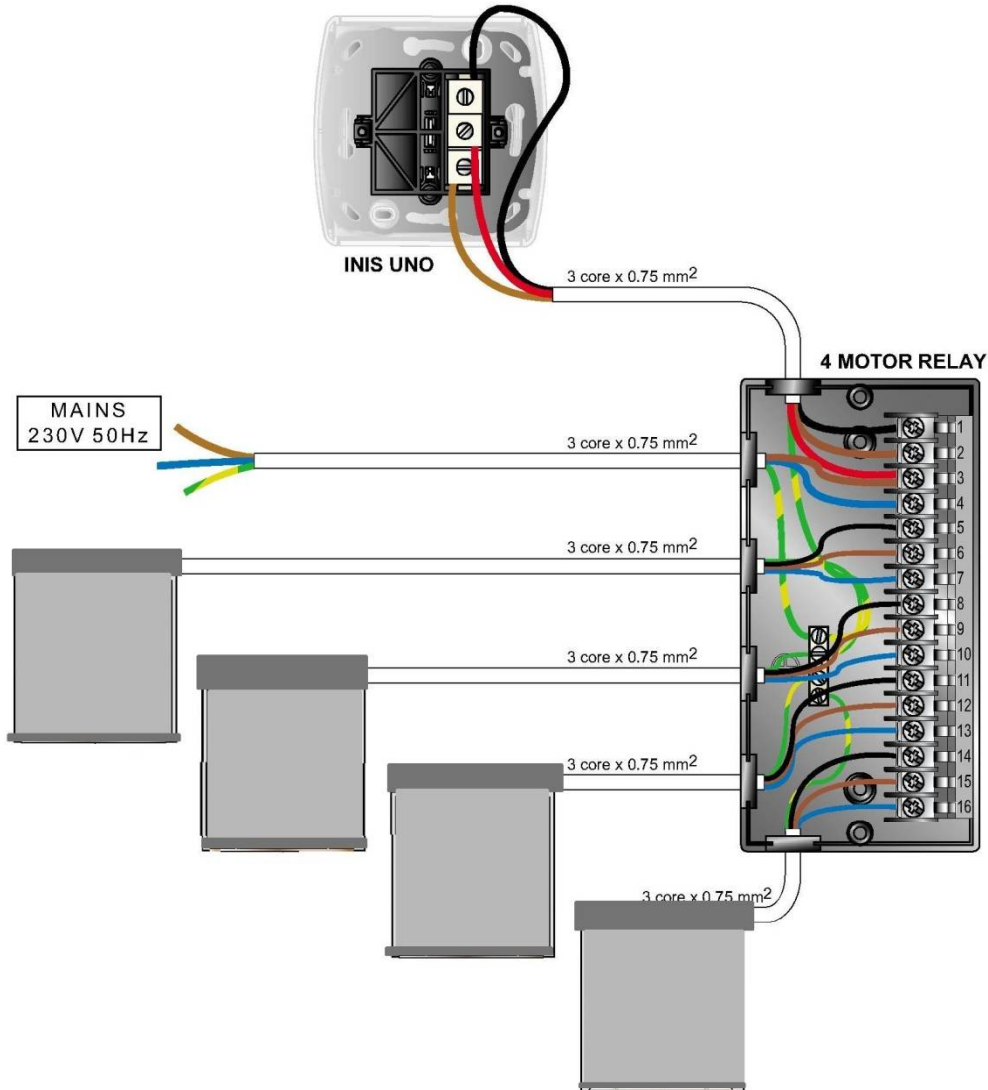
**AC 3 Position  
Hard Wired  
Switch  
Connections**



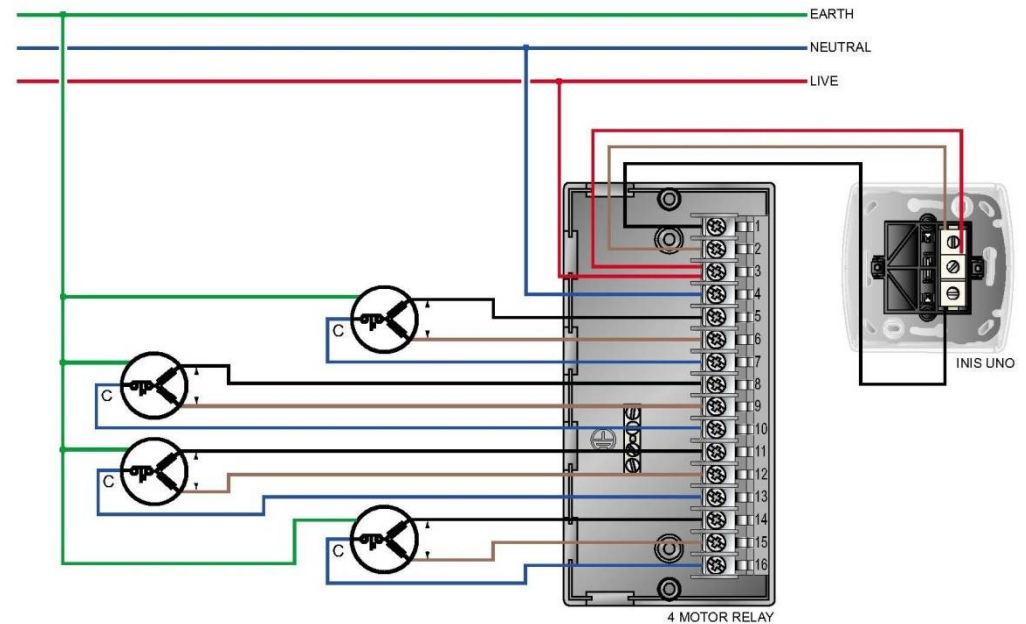
# AC MOTOR GROUP CONTROL WITH SWITCH & 4 MOTOR RELAY UNIT

## 3 & 2 AC MOTOR RELAYS ARE ALSO AVAILABLE

**Wiring diagram**



**Circuit diagram**



**ATTENTION**

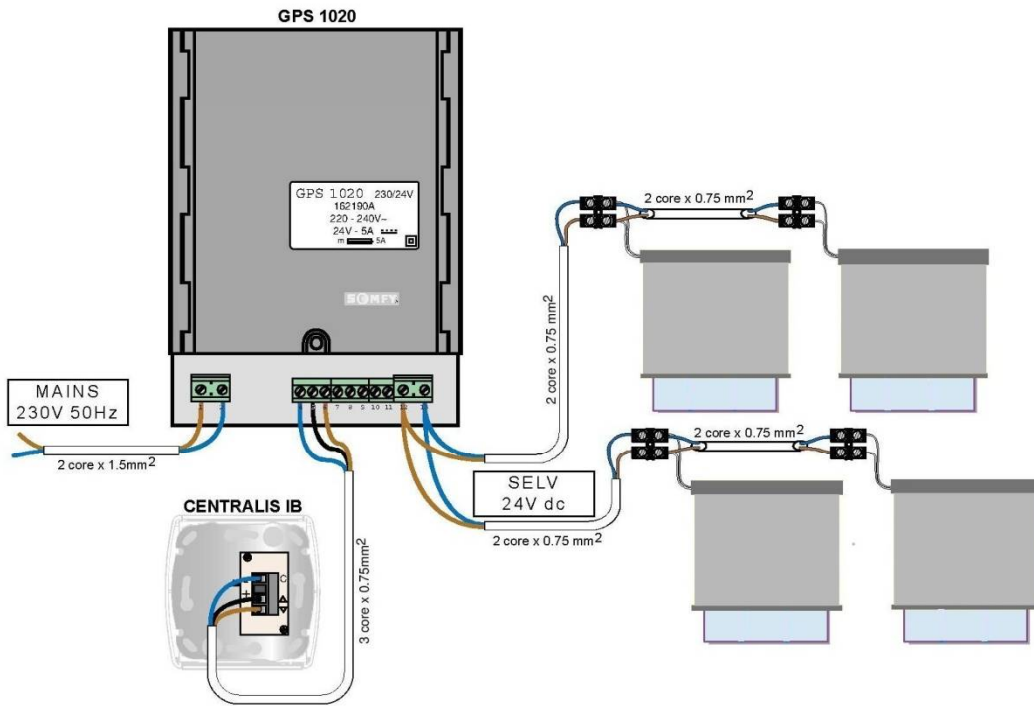
Don't forget to connect the earth wire.  
Ensure ALL terminals are fully tightened.  
To change the motor direction swap the  
brown & black wires from the motor.

Motor Cable Identification	
Direction 1	Brown
Direction 2	Black
Neutral	Blue
Earth	Green/Yellow

# DC MOTOR GROUP CONTROL WITH SWITCH & GPS 1020 TRANSFORMER

UP TO 10 MOTORS CAN BE CONNECTED & CONTROLLED BY ONE GPS 1020  
AN INFRARED SENSOR CAN ALSO BE ADDED FOR REMOTE CONTROL

Wiring diagram



Circuit diagram

