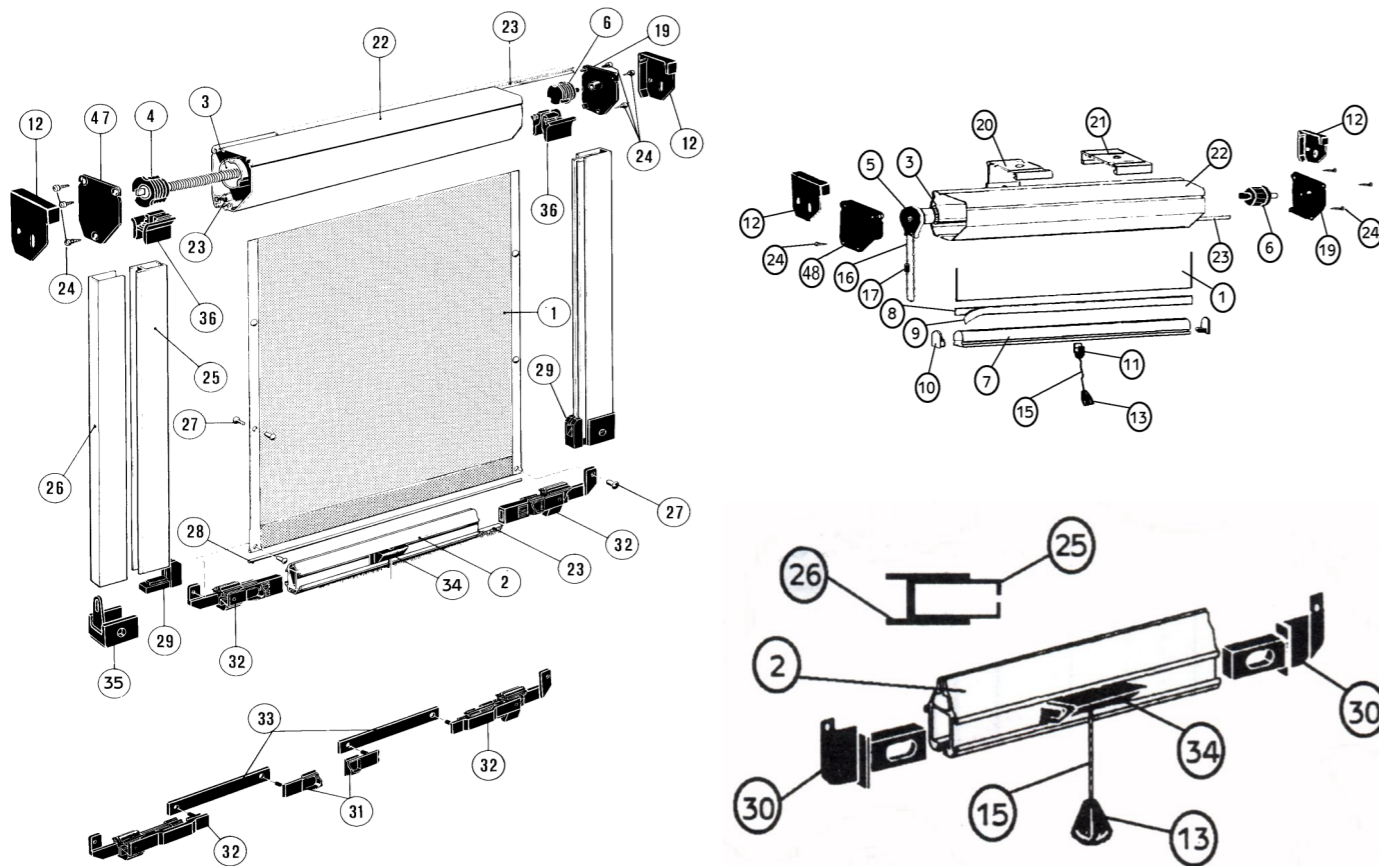


## Installation Instructions for SOLASOLV® LITETITE® Blackout Fabric Roller Blinds (INSIDE RECESS)

### Component Identification



REF.	DESCRIPTION	REF.	DESCRIPTION	REF.	DESCRIPTION
1	Film / Fabric	17	Chain Connector	33	Connection Strip
2	Blackout Bottom Rail	18	Chain Holder	34	Bottom Rail Handle
3	Roll Tube	19	Cassette Pin End Plate RH/LH	35	Bottom Moulding
4	Spring Mechanism	20	Uni Fix Brackets	36	Curtain Feed
5	Side Chain Clutch Mech.	21	Top Fix Brackets	37	Stainless Steel Cord Clamp
6	Roll Tube End Pin	22	Aluminium Cassette	38	Stainless Steel Guide Pulley
7	Standard Bottom Rail	23	Brush Strip	39	Auto Cordlock Pushbutton
8	Alum. Retaining Strip	24	End Plate Screws short/long	40	Cassette Cable Support Kit
9	DS Adhesive Tape	25	Inner Side Channel	41	Uni Fix Adaptor Bracket
10	Bottom Rail End Cap	26	Outer Side Channel		

SPARE PARTS LIST FOR CASSETTE ROLLER  
SCREENS / BLINDS

#### Contents:

Litetite® Screen/s  
Side/Top fix brackets  
Bracket countersink screws (3.5x30)  
Channel pan head screws (3.5x19)  
Side channels  
Channel locking screws (4x8)

#### Tools Required:

Tape measure  
Pencil  
Drill + Drill bits (2.5mm/3.3mm)  
PZ1 + PZ2 Screwdriver  
Cassette remover (Included)

#### STEP 1

To install the blind inside the recess the brackets are to be evenly spaced to ensure the screen runs square.



#### STEP 2 (Brackets)

Mark out with a pencil where the brackets are to be fitted and drill the holes using a suitable drill bit. Screw the brackets into position using the supplied screws.



#### STEP 3 (Fit Screen)

Fit the cassette into the brackets by first positioning the blind centrally and then clicking into place. You will hear a definite click when the cassette is correctly fitted. The cassette can be removed using the cassette removal tool if required.



IF YOU NEED ANY HELP OR ASSISTANCE PLEASE CONTACT OUR CUSTOMER SERVICE TEAM VIA OUR WEBSITE AT:

[www.solasolv.com](http://www.solasolv.com) OR TELEPHONE +44 (0) 191 454 8595

DOC REF: LITETITEINSIDefitting24KS18a

Issue No: 1

Date: June 2018

#### STEP 4 (Outer channels)

Attach the bottom moulding to the bottom of each outer side channels and slot the top into the curtain feeds fitted to the cassette opening and fix into position using the screws supplied.



Expandable foam tape is supplied to ensure a good seal, even on uneven surfaces or window recesses that are not 100% square. This should be applied to the back of the channel before fixing into place.

#### STEP 5 (Inner channels)

Fit the bottom blocks to both of the inner channels and slot them into the outer channels as shown below. (Ensure that the V cut out is to the top)



Fit bottom blocks to inner channels



Slot into the outer channels



Push into position

#### STEP 6 (Channel adjustment)



Run the screen up and down to ensure that the bottom rail runs smoothly.

Adjust the bottom blocks, ensuring that the screen locks in the down position and can also be released when the finger latches are pressed.



#### STEP 7 (Fixing channels)

To lock the channels into place, a locking screw should be fitted to each channel. Measuring 3cm from the opening side of the channel and 3cm down from the curtain feed. Use a 2.5mm drill bit to drill a into the front face of the channels.



#### STEP 8

Screw the supplied locking screws into each channel.



#### COMPLETE

The screen will lock in the down position when lowered. To release, press the tabs as shown below and the screen can then be raised.

