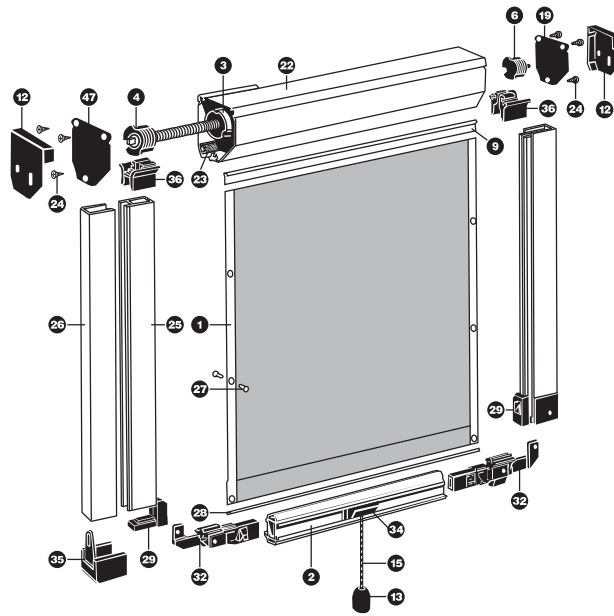
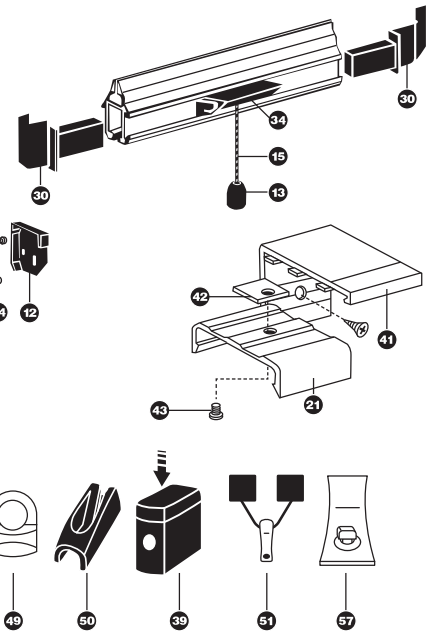
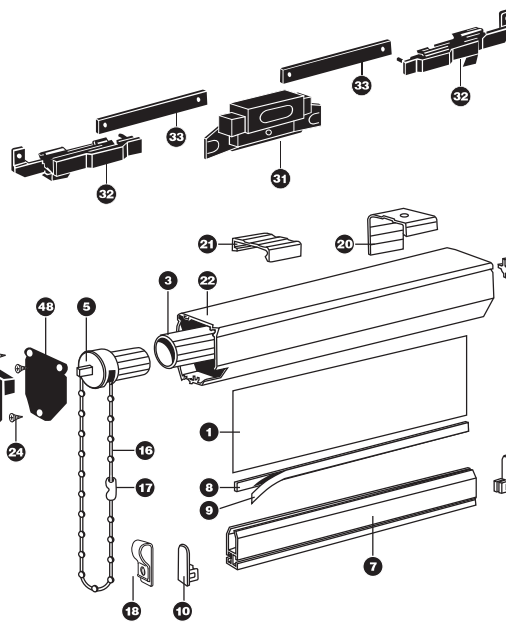
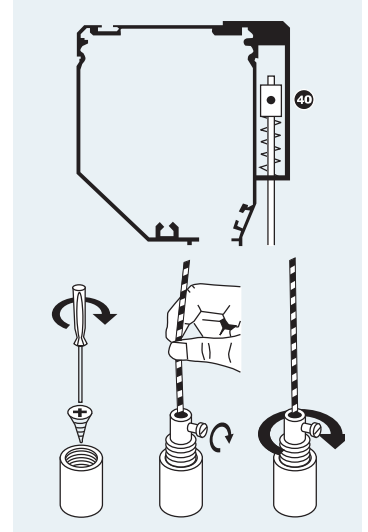


# Spare Parts List For Cassette Roller Blinds & Screens

- 1 Film / Fabric
- 2 Blackout Bottom Rail
- 3 Roll Tube - 25 / 32 / 38mm
- 4 Spring Mechanism - 25 / 38mm
- 5 Side Chain Clutch Mech. - 32 / 38mm
- 6 Roll Tube End Pin - 25 / 32 / 38mm
- 7 Bottom Rail
- 8 Aluminium Retaining Strip
- 9 DS Adhesive Tape
- 10 Bottom Rail End Cap
- 11 Pull Cord Holder
- 12 Side-Fix Bracket
- 13 Acorn
- 14 Stainless Steel Cleat
- 15 Pull Cord
- 16 Operating Bead Chain
- 17 Chain Connector
- 18 Chain Tensioner
- 19 Cassette Pin End Plate RH/LH
- 20 Uni-Fix Brackets
- 21 Top-Fix Brackets
- 22 Cassette
- 23 Brush Strip
- 24 End Plate Screws short/long
- 25 Inner Side Channel
- 26 Outer Side Channel
- 27 Rivet for LITETITE B.O. fabric
- 28 PVC Retaining Rod
- 29 Bottom Block
- 30 BOBR Slide
- 31 Bottom Slide Unlock Tabs
- 32 Bottom Slide with Latch
- 33 Connection Strip
- 34 Bottom Rail Handle
- 35 Bottom Moulding
- 36 Curtain Feed
- 37 Stainless Steel Cord Clamp
- 38 Stainless Steel Guide Pulley
- 39 Push Button
- 40 Cassette Cable Support Kit
- 41 Uni-Fix Adaptor Bracket
- 42 Adaptor Clamp
- 43 Adaptor Bolt
- 47 Spring End Plate
- 48 Clutch End Plate
- 49 Cable Guide
- 50 Clam Cleat
- 51 Hook and Loop
- 57 Leather Tabs and Turnbuttons

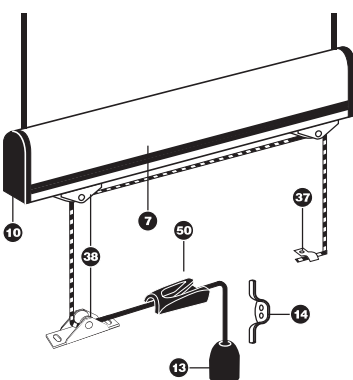


## CASSETTE CABLE SUPPORT KIT

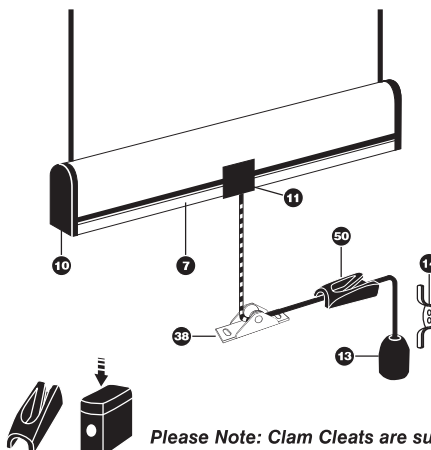


## DOUBLE PULLEY BOTTOM RAIL CONSTANT TENSION SPRING OPERATION

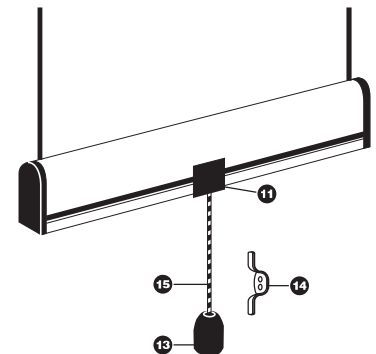
Ideal For Sloping Windows



## CONSTANT TENSION SPRING - CENTRE PULL OPERATION



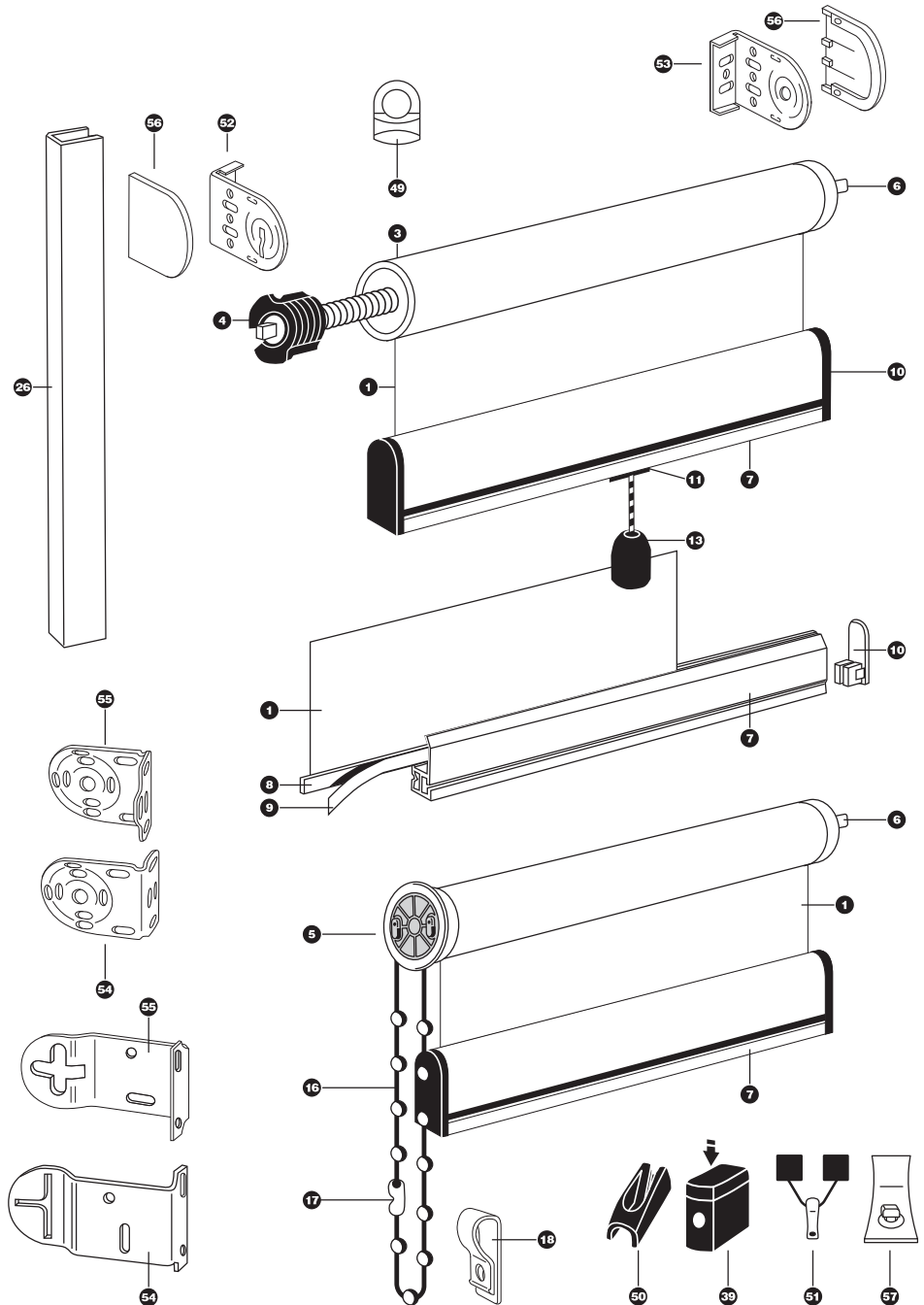
## SELF LOCK SPRING OPERATION



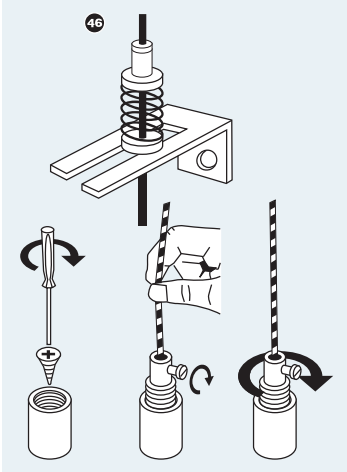
Please Note: Clam Cleats are supplied as standard. Push buttons are available on request.

# Spare Parts List For Non-Cassette Roller Blinds & Screens

- 1 Film / Fabric
- 3 Roll Tube - 25 / 32 / 38mm
- 4 Spring Mechanism - 25 / 38mm
- 5 Side Chain Clutch Mech. - 32 / 38mm
- 6 Roll Tube End Pin - 25 / 32 / 38mm
- 7 Bottom Rail
- 8 Aluminium Retaining Strip
- 9 DS Adhesive Tape
- 10 Bottom Rail End Cap
- 11 Pull Cord Holder
- 13 Acorn
- 14 Stainless Steel Cleat
- 15 Pull Cord
- 16 Bead Operating Chain
- 17 Chain Connector
- 18 Chain Tensioner
- 26 Outer Side Guide Channel
- 37 Stainless Steel Cord Clamp
- 38 Stainless Steel Guide Pulley
- 39 Push Button
- 46 Non-Cassette Cable Support Kit
- 49 Cable Guide
- 50 Clam Cleat
- 51 Hook and Loop
- 52 Spring Uni-fix Bracket 25 / 38mm
- 53 Pin End Uni-fix Bracket 25 / 38mm
- 54 Clutch Pin End Uni-fix Bracket 32 / 38mm
- 55 Pin End Uni-fix Bracket 32 / 38mm
- 56 Bracket Covers
- 57 Leather Tabs and Turnbuttons

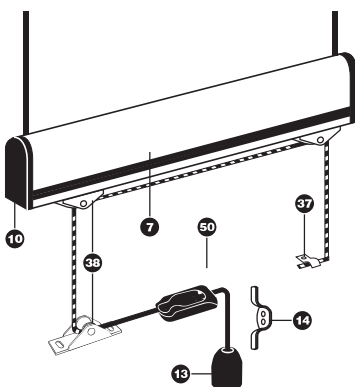


## NON-CASSETTE CABLE SUPPORT KIT

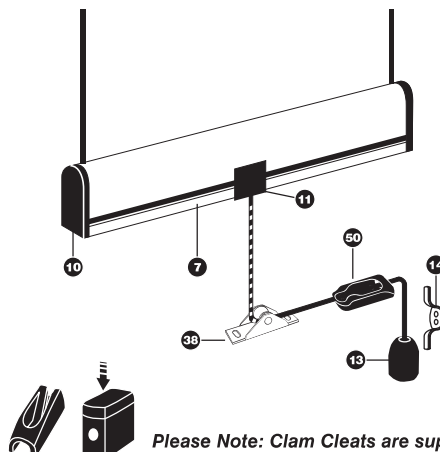


## DOUBLE PULLEY BOTTOM RAIL CONSTANT TENSION SPRING OPERATION

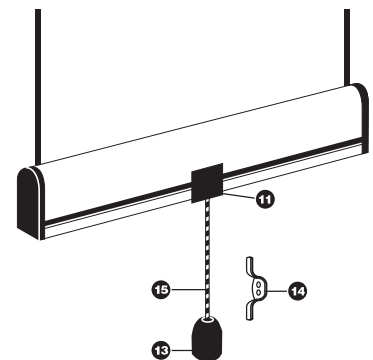
Ideal For Sloping Windows



## CONSTANT TENSION SPRING - CENTRE PULL OPERATION



## SELF LOCK SPRING OPERATION



Please Note: Clam Cleats are supplied as standard. Push buttons are available on request.