



STOPLITE®



From **ROLASOLV®**

For Marine Accommodation and Public Area Windows

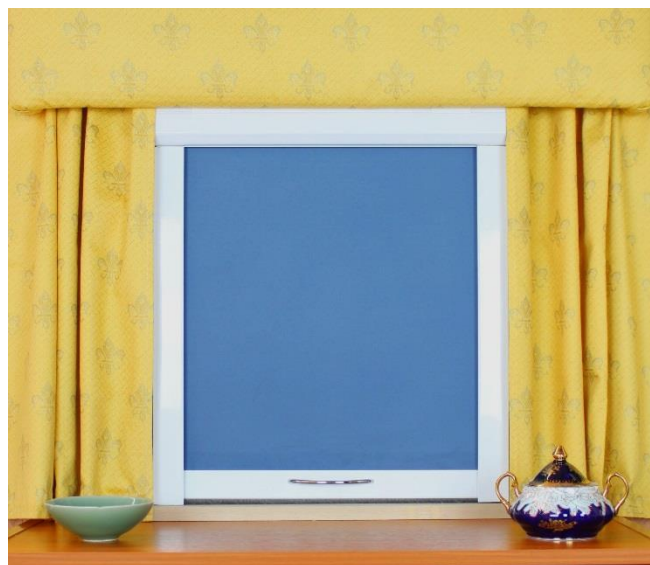
STOPLITE® is a **BLACKOUT ROLLER BLIND** inside a protective aluminium cassette, complete with **double side channels** and light barrier **brush strips**. It significantly reduces sunlight from penetrating into a room to create ideal day-time sleeping conditions. It has **no chains or cords** which can clutter up the window area, and the specially designed bottom rail can be **stopped instantly** in **any** position so the blind can also act as a sun visor when a completely dark room is not required.

The standard **STOPLITE®** roller blind is supplied with a **flame retardant** blackout fabric from a choice of colours and can be manufactured and dispatched within a few days, depending on quantity required. They can also be manufactured in a fabric from the KVADRAD inherently **flame retardant** range at an additional cost.

For ease of use a handle is fitted to the bottom rail to lock it at the required position. The **STOPLITE®** roller blind is a product in Solar Solve Marine's **ROLASOLV®** range of Sun Protection Systems and only **manufactured by Solar Solve Marine** at their factory in South Shields, UK. All **ROLASOLV®** products are **Type Approved by DNV**.

WHEN IT COMES TO CREW FATIGUE MANAGEMENT STOPLITE® IS AN IDEAL SOLUTION FOR CABIN WINDOWS IN FLOATELS AND OTHER MARINE ACCOMMODATION UNITS TO IMPROVE THE SLEEP QUALITY OF THE CREW

- ✓ **CREATES ALMOST BLACKOUT CONDITIONS TO IMPROVE SLEEP QUALITY FOR CREW**
- ✓ **DOUBLE SIDE CHANNELS AND BRUSH STRIP**
- ✓ **CHOICE OF FLAME RETARDANT BLACKOUT FABRIC COLOURS**
- ✓ **OPTIONAL CHOICE OF KVADRAD FLAME RETARDANT FABRIC**
- ✓ **SIMPLE TO INSTALL AND EASY TO USE**
- ✓ **NO CORDS OR CHAINS**
- ✓ **STOPS AT ANY POSITION**
- ✓ **TYPE APPROVED BY DNV**
- ✓ **HIGH QUALITY COMPONENTS**
- ✓ **FAST DISPATCH WORLDWIDE**
- ✓ **COMPREHENSIVE TECHNICAL ASSISTANCE**
- ✓ **COMPREHENSIVE 1-YEAR GUARANTEE**
- ✓ **SPARE PARTS INCLUDED**



Just like all of the products in the **ROLASOLV®** range, **STOPLITE®** roller blinds are designed with the customers needs in mind. They are custom made to individual specifications, simple to install and easy to use.

STOPLITE® have been designed to be installed **INSIDE** the window recess. An effective and efficient technical team, who are well qualified and experienced, are always available to offer advice by telephone, e-mail or fax. A team of highly skilled installers are also available to travel worldwide for situations where customers prefer to contract out the complete job as a turnkey project.

Thanks for the urgent attention to my little problem. Great to deal with such a professional company---Great service on all accounts.

Rgds Lynton Perkins, Branch Manager, Australia.

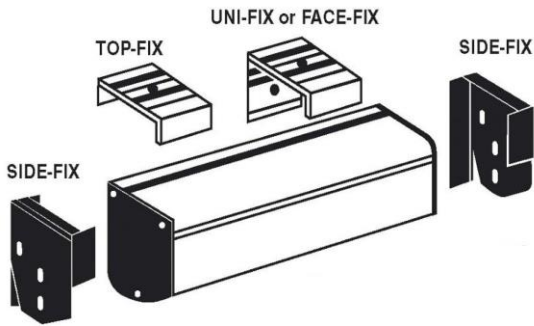
Your lads did a great job, worked safely and timely. We much appreciate their efforts. Simon Howard-Bush, QA, UK.

FREE TRIAL OFFER

Are you thinking about specifying or purchasing Solar Solve Ltd's products but not quite sure? To help you make up your mind we will supply one item of any product, made to your specification, on a **30-day FREE TRIAL**. This will give you time to assess its effectiveness, ease of installation, aesthetics, accuracy of measuring, etc. If you are happy then you keep it and pay within 30 days. If you want to change it because it's not quite right for **any** reason, or decide that it is not suitable then return it to us (at your expense) after the trial period and you don't have to pay for it.

NO QUIBBLE - NO HASSLE

Types of Fixing



Maximum and Minimum Dimensions

Maximum Width	Maximum Drop	Minimum Width	Minimum Drop
2000 mm	1650 mm	450 mm	250 mm

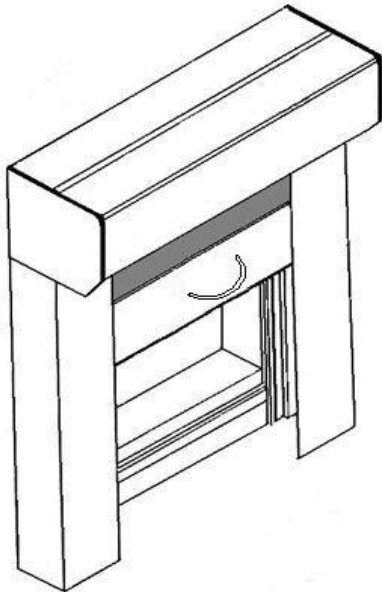
Choice of Fabrics

Available in a selection of **high quality** fabrics with **BS5438 flame spread certification**, they also comply with the **mandatory IMO FTPC Part 7 A.563(14) resolution**. The standard range includes:

Blackout Fabric –

- Constructed of 67% PVC, 24% Fibre Glass, 8% Adhesive (to France-M1 Fire Classification).
- Easily cleaned with soap and water.
- Available in 6 standard colours: **Navy Blue, Cream, Ecru, White, Grey and Black.**
- Other colours available on request.

Other fabric types are available by special request including **KVADRAD**.



STOPLITE®

Operation

The blind can only be operated effectively by using the handle fitted to the bottom rail.

To **UNLOCK** the blind gently twist and push the bottom rail away from you whilst holding the handle to release the spring locking mechanism. Once unlocked; keep the handle in the same position and raise or lower the bottom rail until the desired blind position is reached. Do not let go of the handle until the blind is in the required position.

To **LOCK** the bottom rail into position gently twist and pull the handle towards you which will make the bottom rail pull up against the front side channels. The spring will automatically lock into position and the blind will not move.

1-YEAR GUARANTEE

*He ended his bridge watch at Midday
When a thought came to his head
With STOPLITE® at my window
I'll sleep soundly in my bed!*

SOLAR SOLVE MARINE