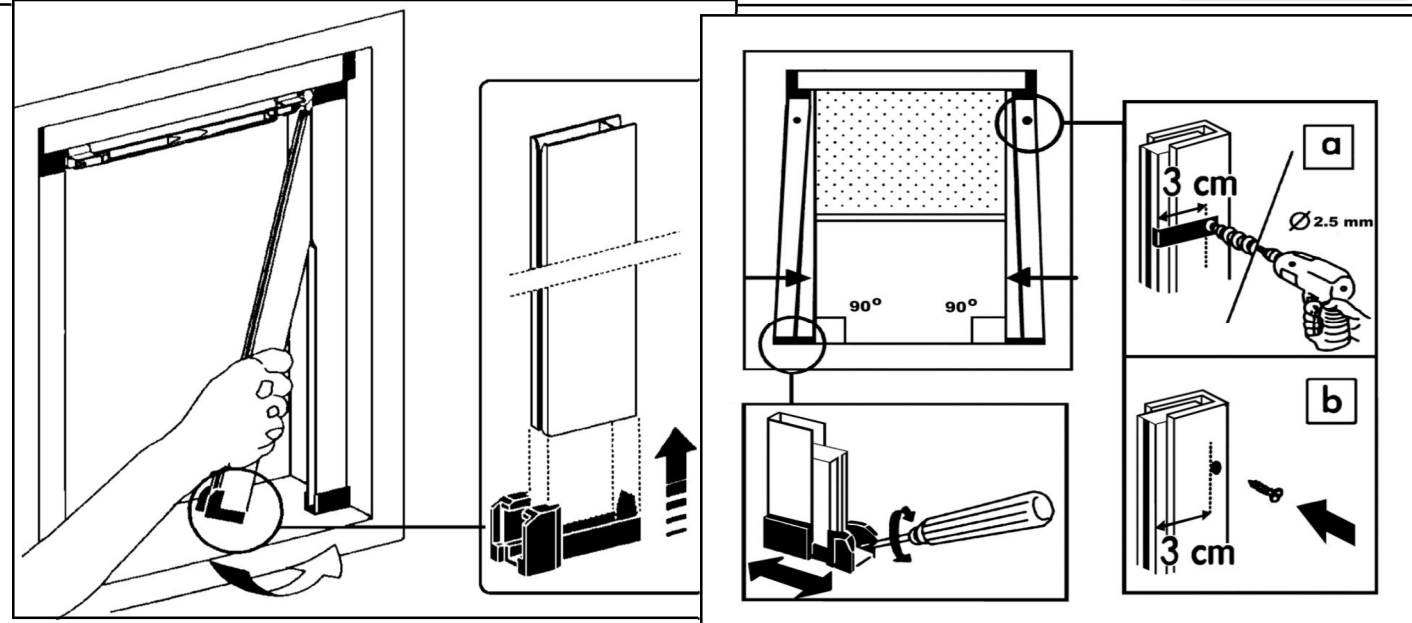
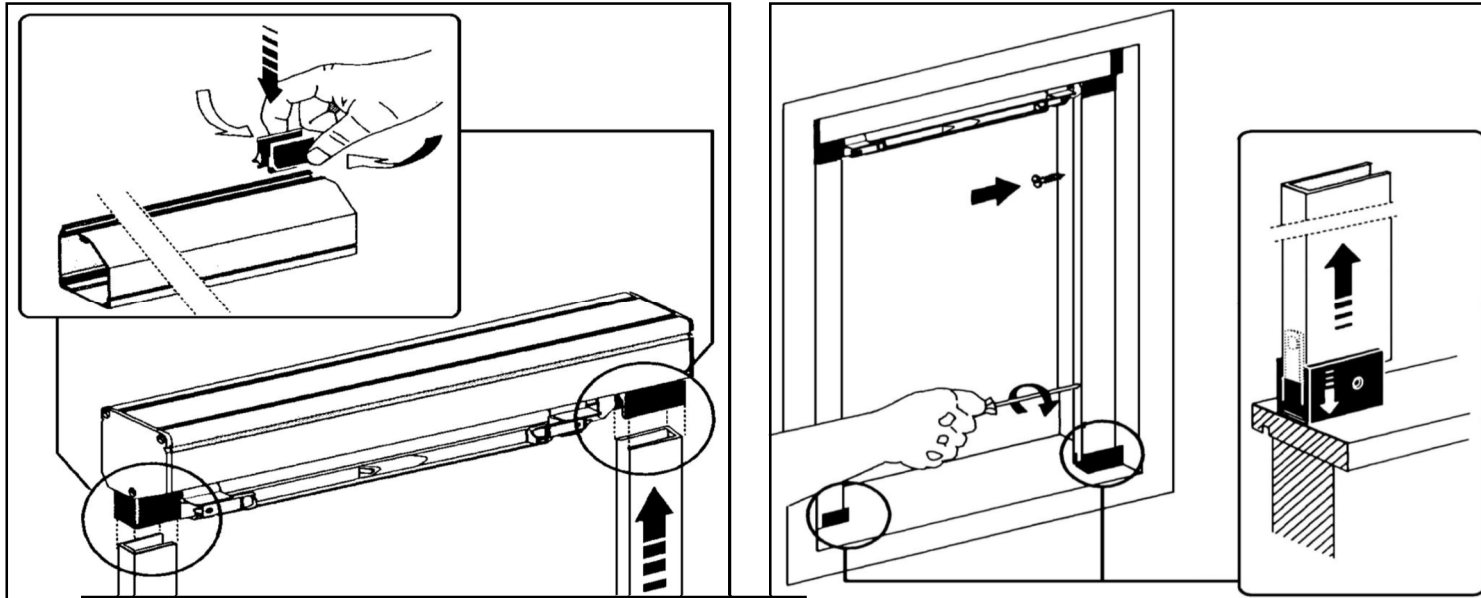


LITETITE遮光帘附加安装要求。

LITETITE BLACKOUT BLIND ADDITIONAL INSTALLATION REQUIREMENTS



LITETITE操作方法

METHODS OF LITETITE OPERATION

恒定张力中央释放
CONSTANT TENSION CENTRE RELEASE

侧链
SIDE CHAIN

双滑轮
(仅限外凹座)
DOUBLE PULLEY
(OUTSIDE RECESS ONLY)

天花板 Ceiling

窗户 WINDOW

帘盒 CASSETTE

拉绳 Cord Pull

提供木楔，以确保在有角度窗户上正确安装
Wooden wedges are available to ensure a correct fit for angled windows

保持最小间距，以确保热反射和滤光效率
Maintain minimum gap to ensure heat reflection and screen efficiency

坡度卷帘安装

SLOPING BLIND INSTALLATION

SOLAR SOLVE

THE ANTI-GLARE EXPERTS

帘盒型产品安装说明和零件清单

SOLASAFE® CASSLITE® LITETITE®

保养和维护

普通除尘可用柔软的干布。Solar薄膜、遮光布和Lyverscreen滤光布上的指印或油迹可用软布或石油溶剂去除，然后再用湿布和少量清洁剂擦拭。任何织物或薄膜只要在收起前已完全干燥，水不会对它们造成损伤。

Care and Maintenance

Normal dusting with NON-ABBRASIVE dry cloth. Fingerprints or grease marks on Solar film, blackout fabric and Lyverscreen fabric can be removed with a soft cloth and white spirit, then wiped over with a damp cloth and a little detergent. Water will not damage any of the fabrics or films provided they are totally dry before being retracted.

操作弹簧张力卷帘小窍门

不要让卷帘迅速自动缩回。总是拉住拉绳，控制上升速度。切勿给机械装置上油或润滑剂。

Hints on Operating Spring Tensioned Roller Blinds

Do not allow the blind to retract quickly by itself. Always control the speed of ascent by holding onto the pull cord. NEVER APPLY OIL OR GREASE TO THE MECHANISMS.

本公司保留进行任何必要修改的权利，以确保产品符合顾客要求。

本文件中的图纸仅用于说明目的，并非依比例绘制。

We reserve the right to make any modifications necessary to ensure products comply with a customers requirements. The drawings in this document are for illustration purposes only and are NOT TO SCALE.

请注意：如果窗户有坡度，可能需要适当调整托架角度。可提供木楔（见第4页）

PLEASE NOTE: IF WINDOWS ARE SLOPING IT MAY BE NECESSARY TO ANGLE THE BRACKETS ACCORDINGLY. WOOD WEDGES CAN BE SUPPLIED (See Page 4.)

装配人员重要提示：-

请将本说明单页留在卷式

滤光膜/卷帘处，供顾客参考

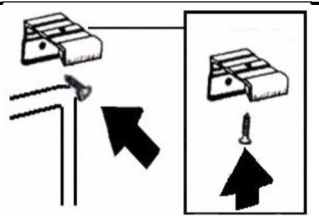
IMPORTANT NOTE FOR FITTER:- PLEASE LEAVE THIS INSTRUCTION SHEET WITH THE ROLLER SCREEN / BLIND FOR CUSTOMER REFERENCE

SOLASAFE、CASSLITE和LITETITE产品安装说明。

FITTING INSTRUCTIONS FOR INSTALLING SOLASAFE, CASSLITE AND LITETITE PRODUCTS

帘盒安装

CASSETTE INSTALLATION

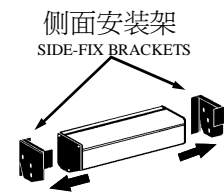
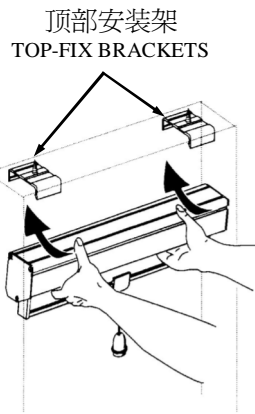


正面安装
FACE FIX

顶部安装
TOP FIX

替代方法
用于单点安装托架安装

ALTERNATIVE METHODS
FOR UNI-FIX BRACKET
INSTALLATION



决定安装滤光膜/卷帘的确切位置，确保：-

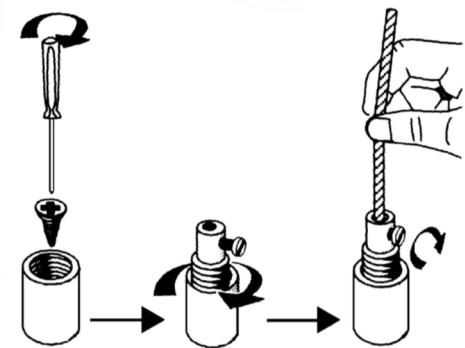
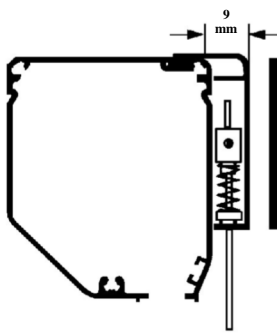
- 操作时滤光膜/卷帘不会影响窗户撑杆或任何其它障碍。
- 滤光膜绝对水平。

Decide EXACTLY where the screen / blind is to be fitted, ensuring that:-

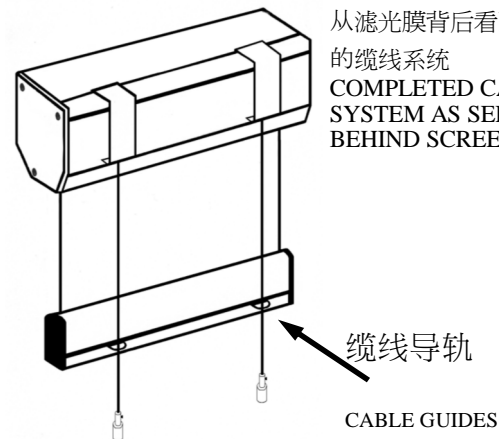
- The screen / blind will not interfere with window stays or any other obstructions, when operated.
- The screen is absolutely level.

缆线支持系统

CABLE SUPPORT SYSTEM

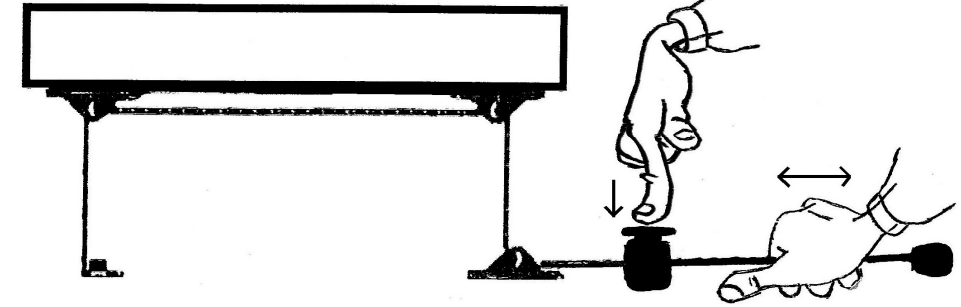


从滤光膜背后看到的完整的
缆线系统
COMPLETED CABLE
SYSTEM AS SEEN FROM
BEHIND SCREEN



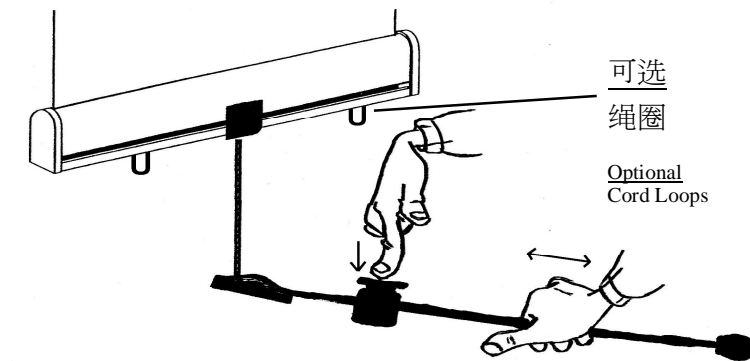
双滑轮底部轨道操作

DOUBLE PULLEY BOTTOM RAIL OPERATION



恒定张力中央抽拉操作

CONSTANT TENSION CENTRE PULL OPERATION

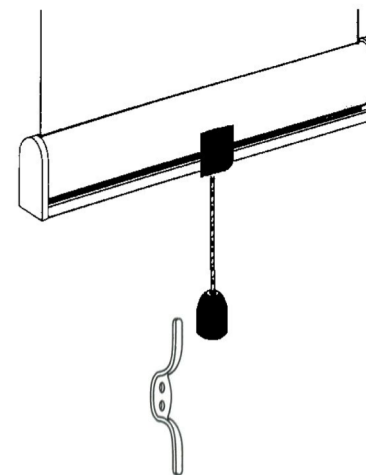


可选
绳圈

Optional
Cord Loops

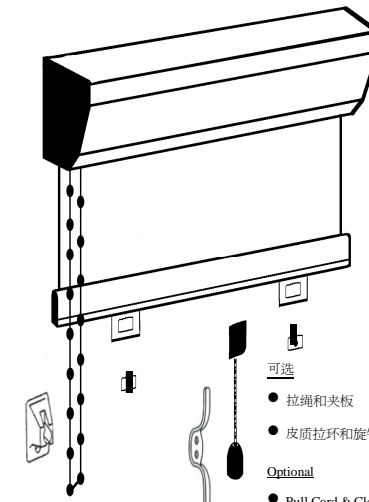
自锁弹簧操作

SELF LOCK SPRING OPERATION



侧链操作

SIDE CHAIN OPERATION



可选

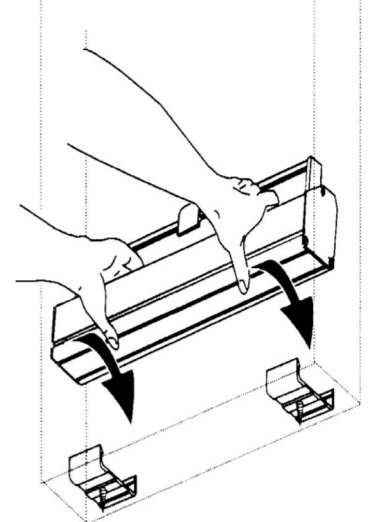
- 拉绳和夹板
- 皮质拉环和旋钮

Optional

- Pull Cord & Cleat
- Leather Tabs & Turn Buttons

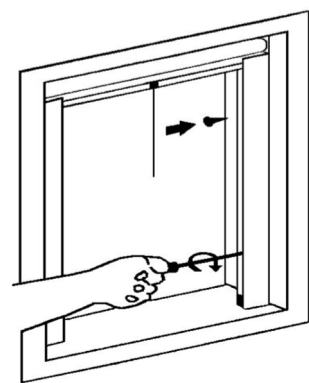
反向滤光膜/卷帘

INVERTED SCREENS / BLINDS



侧向导槽

SIDE GUIDE CHANNELS



内凹槽
INSIDE RECESS



外凹槽
OUTSIDE RECESS